

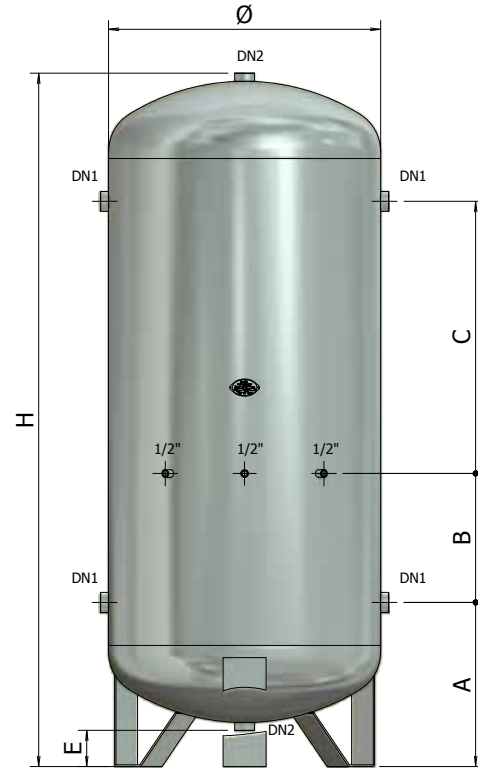
AIR

GALVANIZED TANKS FOR COMPRESSED AIR, CE CERTIFIED

(750-10.000 LITRES)



AIR



1500 ÷ 10000 (8 bar)
 1000 ÷ 10000 (12 bar)
 750 ÷ 2000 (16 bar)



CE certified product



For compressed air



Galvanized



For pressurisation system

Characteristics:

- Min./max. working temperature: -10° / +50°C

Reference standard

- Declaration of conformity to essential safety requirements according to Directive 97/23/EC (PED).




Notes

- Safety valve and gauge supplied on request.

Tanks with compressed air are used to rationalise use of the compressors in big compressed air systems and to maintain constant pressure in the system.
 The AIR series tanks are CE certified as required by the European Directive 97/23/EC (PED).

WARRANTY: 2 YEARS

DIMENSIONS

MODEL	CODE		P max			A	B	C	E	DN1	DN2	NOTES
		LITRES	bar	mm	mm	mm	mm	mm	mm			
AIR 1500/8	A4K2J67	1500	8	950	2425	565	450	950	105	2"	2"	
AIR 2000/8	A4K2J70	2000	8	1100	2505	605	500	900	105	2"	2"	
AIR 2500/8	A4K2J72	2500	8	1250	2575	635	530	870	95	3"	2"	
AIR 3000/8	A4K2J74	3000	8	1250	2875	635	800	900	95	3"	2"	
AIR 4000/8	A4K2J77	4000	8	1400	3005	725	800	900	145	3"	2"	
AIR 5000/8	A4K2J80	5000	8	1550	3035	715	800	900	95	4"	2"	
AIR 7500/8	A4K2J87	7500	8	1650	4185	895	1200	1400	205	4"	2"	
AIR 10000/8	A4K2J92	10000	8	1650	5185	895	1200	2400	205	4"	2"	
AIR 1000/12	A4K2N62	1000	12	800	2370	565	550	650	130	1"1/2	1"1/2	
AIR 1500/12	A4K2N67	1500	12	950	2425	565	450	950	105	2"	2"	
AIR 2000/12	A4K2N70	2000	12	1100	2505	605	500	900	105	2"	2"	
AIR 2500/12	A4K2N72	2500	12	1250	2575	635	530	870	95	3"	2"	
AIR 3000/12	A4K2N74	3000	12	1250	2875	635	800	900	95	3"	2"	
AIR 4000/12	A4K2N77	4000	12	1400	3005	725	800	900	145	3"	2"	
AIR 5000/12	A4K2N80	5000	12	1550	3035	715	800	900	95	4"	2"	
AIR 7500/12	A4K2N87	7500	12	1650	4185	895	1200	1400	205	4"	2"	
AIR 10000/12	A4K2N92	10000	12	1650	5185	895	1200	2700	205	4"	2"	
AIR 750/16	A4K2R59	750	16	750	2060	555	445	655	150	1"1/2	1"1/2	
AIR 1000/16	A4K2R62	1000	16	800	2370	565	550	650	130	1"1/2	1"1/2	
AIR 1500/16	A4K2R67	1500	16	950	2425	565	450	950	105	2"	2"	
AIR 2000/16	A4K2R70	2000	16	1100	2505	605	500	900	105	2"	2"	

